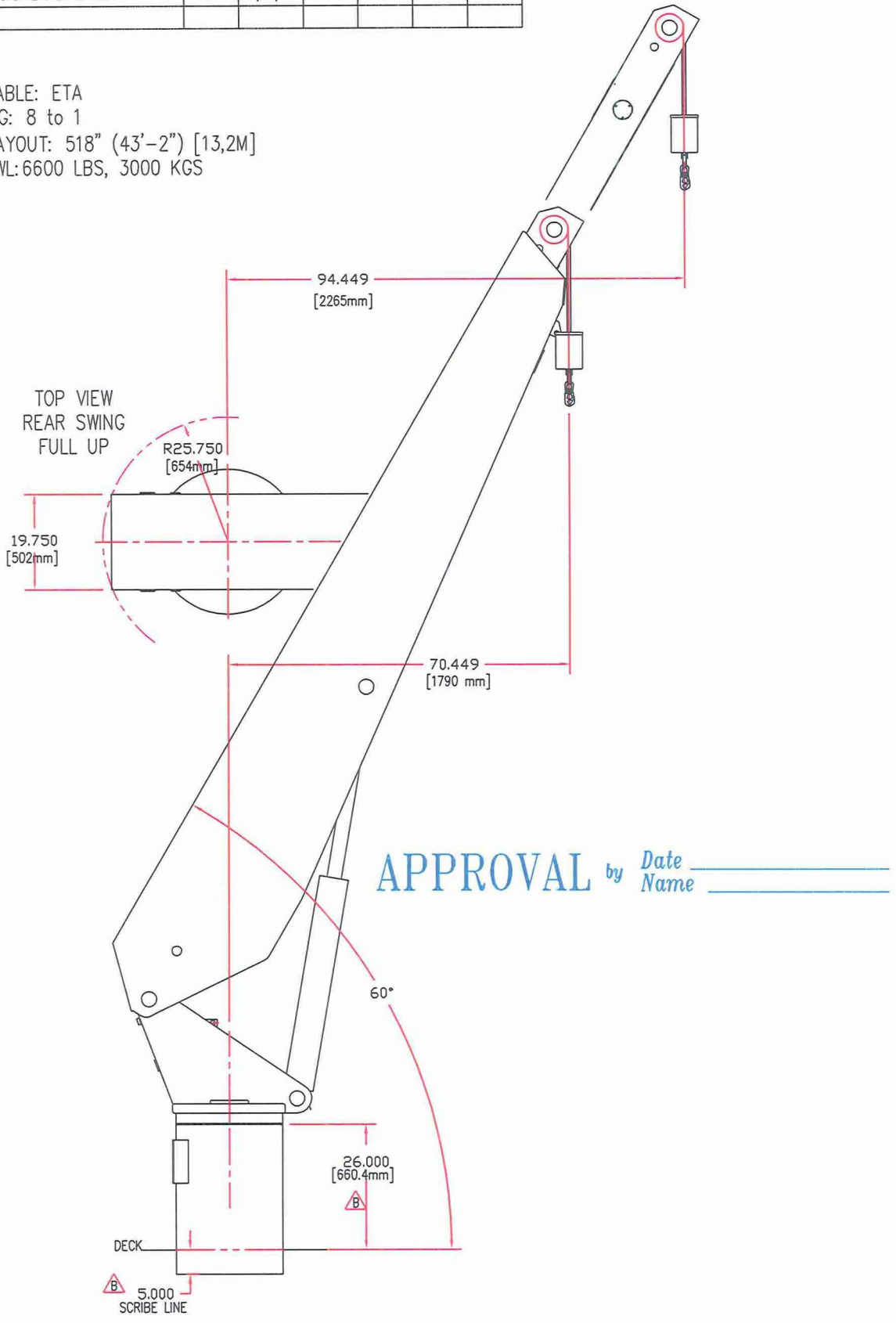


REV	REVISION	BY	DATE	CHKD	DATE	APRVD	DATE
A	INITIAL RELEASE	STT	08/31/12				
B	UPDATE OVERALL HEIGHT	STT	09/06/12				

CABLE: ETA
RIG: 8 to 1
PAYOUT: 518" (43'-2") [13,2M]
SWL: 6600 LBS, 3000 KGS



ALL DIMENSIONS ARE IN INCHES UNLESS OTHERWISE SPECIFIED

THIS DRAWING IS THE PROPERTY OF NAUTICAL STRUCTURES AND SHALL NOT BE USED OR REPRODUCED BY ANYONE WITHOUT PREVIOUS WRITTEN PERMISSION

NAUTICAL STRUCTURES
Excellence in Yachting Accessories

TOLERANCES
○ □
ANGLES: ±0.5°
FRACTIONS: ±1/16"
DECIMALS:
X.XX ±0.03
X.XXX ±0.015
ANSI Y14.5M & U.O.S.

CRANES BY SN#, EZ6600-EX-168-216 CARGO			
SALES DRAWING, CRANE			
SN# 25079	DWN BY STT	DWG# 25079-100	REV B
SN# .	DATE 08/31/12		
DIM 20	OLD# .	FILE 25079-100-B	SHEET 3 OF 3