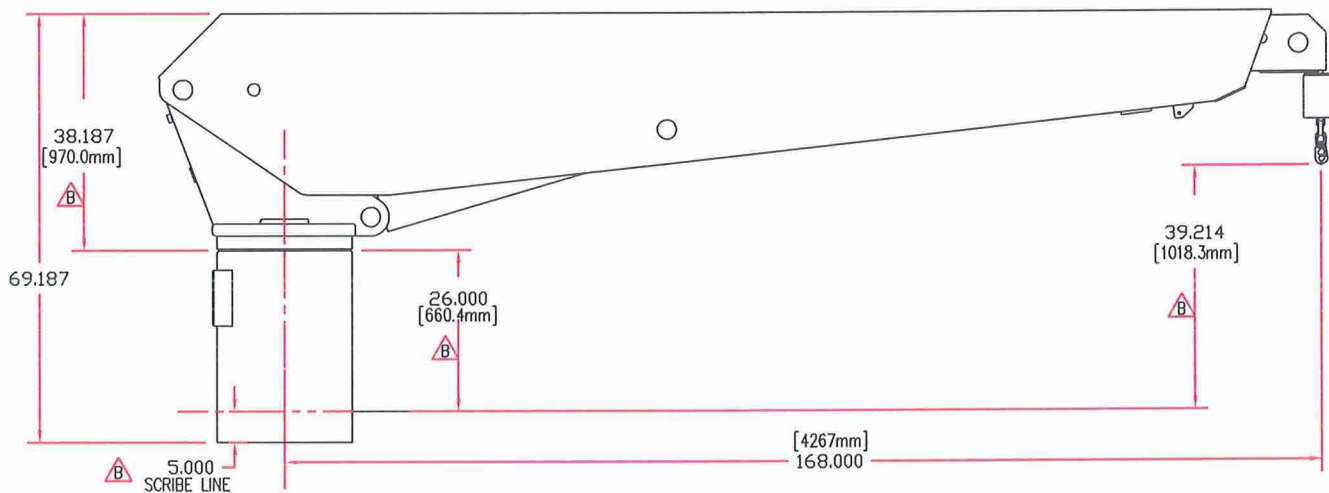
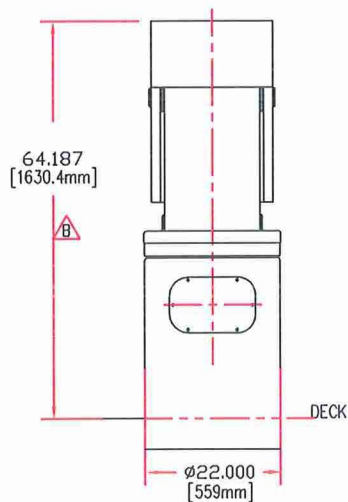
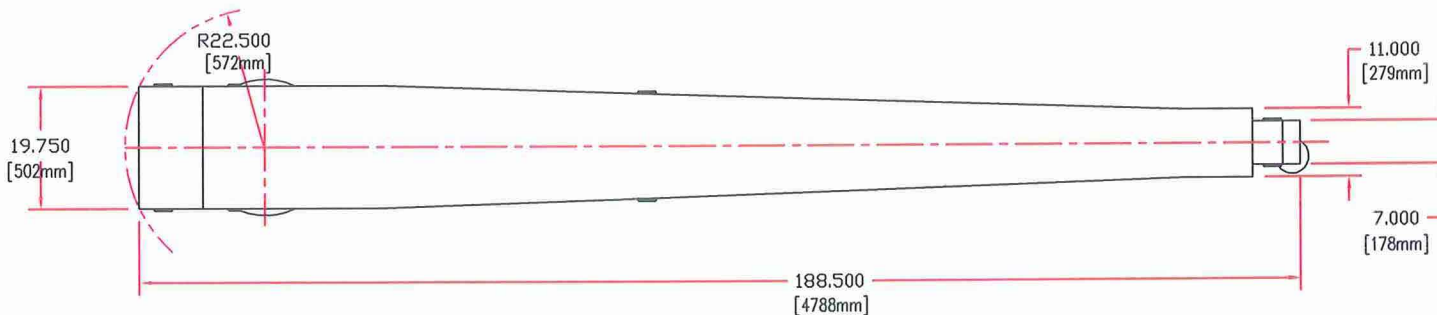


CABLE: ETA
 RIG: 8 to 1
 PAYOUT: 518" (43'-2") [13,2M]
 SWL: 6600 LBS, 3000 KGS

APPROVAL by Date _____
 Name _____

REV	REVISION	BY	DATE	CHKD	DATE	APRVD	DATE
A	INITIAL RELEASE	STT	08/31/12				
B	UPDATE OVER ALL HEIGHT	STT	09/06/12				



ITEM	QTY	PART NO	DESCRIPTION OR MATERIAL
BILL OF MATERIAL			

NAUTICAL STRUCTURES
Excellence in Yachting Accessories

TOLERANCES

 ANGLES: ±0.5°
 FRACTIONS: ±1/16"
 DECIMALS:
 X.XX ±0.03
 X.XXX ±0.015
 ANSI Y14.5M & U.O.S.

CRANES BY SN#, EZ6600-EX-168-216 CARGO			
SALES DRAWING, CRANE			
SN# 25079	DWN BY STT	DWG# 25079-100	REV B
SN#	DATE 08/31/12		
DM 20	OLD#	FILE 25079-100-B	SHEET 1 OF 3

ALL DIMENSIONS ARE IN INCHES UNLESS OTHERWISE SPECIFIED

THIS DRAWING IS THE PROPERTY OF NAUTICAL STRUCTURES AND SHALL NOT BE USED OR REPRODUCED BY ANYONE WITHOUT PREVIOUS WRITTEN PERMISSION